

Embedded Solutions



PCIe M.2 SSDs

MTE672A & MTE672A-I

Transcend's MTE672A M.2 SSD is a self-encrypting drive (SED) that complies with the TCG (Trusted Computing Group) Opal 2.0 standards. Data is protected using the hardware-based AES 256-bit encryption and LBA (Logical Block Address) sector-specific permissions.

Transcend's MTE672A M.2 SSD features the 112-layer 3D NAND flash and a PCI Express (PCIe) Gen 3 x4 interface, compatible with NVM Express (NVMe) 1.3 specifications to achieve never-before-seen transfer speeds. In addition, the 30µ" gold finger PCB, Corner Bond technology, and anti-sulfur resistors guarantee its reliability in harsh conditions. Transcend's MTE672A is also 100% chamber tested in-house for extended operating temperatures of -20°C~75°C. Transcend also offers the MTE672A-I with wide temperature (-40°C~ 85°C) capabilities to ensure sustained functionality, enhanced endurance and optimal reliability in mission-critical applications.

Hardware Features

- Anti-sulfur technology implemented to prevent sulfurization in the environment
- 30µ" PCB gold finger
- Key components fortified by default with Corner Bond technology
- Extended Temp. (-20°C ~ 75°C) and Wide Temp. (-40°C ~ 85°C) options available

Firmware Features

- Supports S.M.A.R.T. function to conduct health monitoring, analysis, and reporting for storage devices
- Dynamic thermal throttling
- Compliant with TCG Opal specifications and IEEE 1667 standards
- Full drive encryption with Advanced Encryption Standard (AES)
- SLC caching technology

Ordering Information

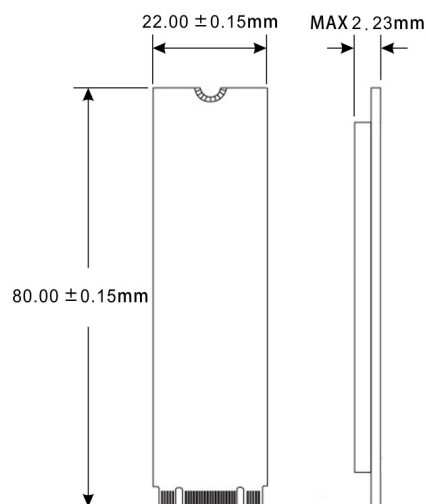
128GB	TS128GMTE672A TS128GMTE672A-I
256GB	TS256GMTE672A TS256GMTE672A-I
512GB	TS512GMTE672A TS512GMTE672A-I
1TB	TS1TMTE672A TS1TMTE672A-I
2TB	TS2TMTE672A TS2TMTE672A-I

*Supports Microsoft® eDrive standard

Specifications

Appearance	Dimensions	80 mm x 22 mm x 2.23 mm (3.15" x 0.87" x 0.08")
	Weight	9 g (0.32 oz)
	M.2 Type	2280-S2-M (Single-sided)
	Form Factor	M.2 2280
Interface	Bus Interface	NVMe PCIe Gen3 x4
Storage	Capacity	128 GB / 256 GB / 512 GB / 1 TB / 2 TB
	Flash Type	112-layer 3D NAND flash
Operating Environment	Operating Voltage	3.3V±5%
	Operating Temperature	Extended Temp. -20°C (-4°F) ~ 75°C (167°F)
		Wide Temp. -40°C (-40°F) ~ 85°C (185°F)
	Storage Temperature	-55°C (-67°F) ~ 85°C (185°F)
	Humidity	5% ~ 95%
	Shock	1500 G, 0.5 ms, 3 axis
	Vibration (Operating)	20 G (peak-to-peak), 7 Hz ~ 2,000 Hz (frequency)
Power	Power Consumption (Operation)	4.5 watt(s)
	Power Consumption (IDLE)	0.5 watt(s)
Performance	Sequential Read/Write (CrystalDiskMark)	Read: Up to 2,100 MB/s Write: Up to 1,700 MB/s
	4K Random Read/Write (IOMeter)	Read: Up to 157,000 IOPS Write: Up to 260,000 IOPS
	Mean Time Between Failures (MTBF)	3,000,000 hour(s)
	Terabytes Written (TBW)	Up to 1920 TBW
	Drive Writes Per Day (DWPD)	0.88 (3 yrs)
Warranty	Certificate	CE / UKCA / FCC / BSMI
	Warranty	Three-year Limited Warranty

Mechanical Dimensions



Product specifications are subject to change without notice. Pictures shown may differ from actual products. Total accessible capacity varies depending on operating environment. Due to the complexity and variety of industrial applications, Transcend cannot guarantee 100% compatibility with all platforms and under all scenarios. For special applications and environments, it is strongly suggested that you contact Transcend beforehand for clarification.