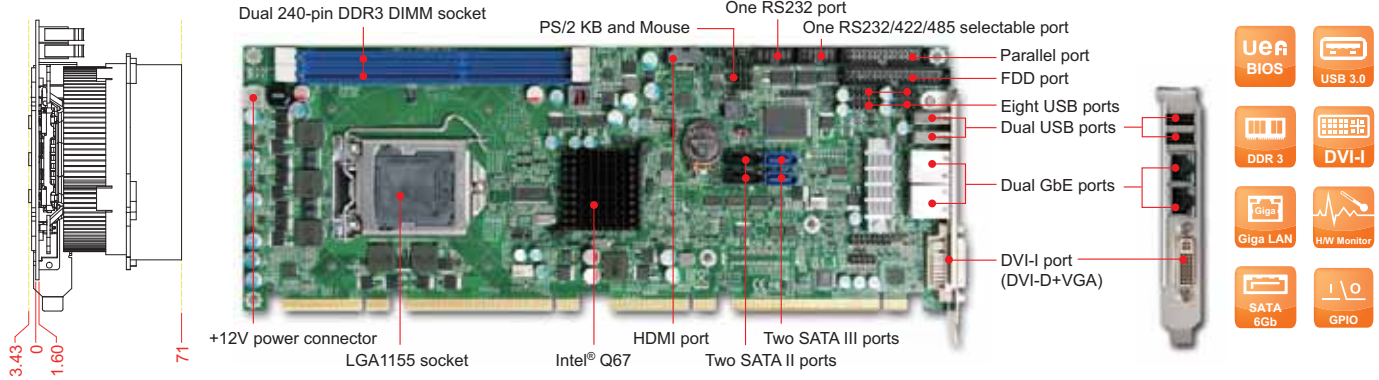


ROBO-8110VG2AR-Q67



ROBO-8110VG2AR-Q67 is based on the Intel® Q67 chipset and desktop processor sku like Intel® Core™ i7 and i5. Built with flexible PCI express expansion, it's suitable for Medical, Industrial Automation, and Digital Signage applications.

FEATURES

- Supports Intel® Core™ i7 and i5 processors in LGA1155 package
- Delivers up to 16GB maximum DDR3 1333/1066 SDRAM on two DIMM sockets
- Supports multiple display with DVI-I (DVI-D+VGA) and HDMI
- Supports iAMT 7.0 on Core™ i7 and i5 processors
- High speed dual Gigabit Ethernet based on PCI Express x1, high bandwidth I/O interface
- Rich I/O connections such as FDD, two Gigabit Ethernet, serial ports, parallel port, USB 2.0
- On-board two SATA II and two SATA III ports support RAID 0, 1, 5, 10

ORDERING GUIDE

AB1-3774	ROBO-8110VG2AR-Q67 PICMG 1.3(PCI-E+PCI),LGA1155,Core 2 Quad,SHB.w/VGA/Dual GbE/Audio
-----------------	--

PACKING LIST

Standard	
	B6901990 SATA II cable
	B6902930 SATA III cable (Black)
	B690021S cable kit for FDD+PRN with bracket
	B6903240 Dual head COM port cable with bracket
	B6903350 DVI-D + VGA cable
	B8981980 PICMG SBC Handling and Installation Notice
	B3751400 Installation CD
Optional	
	B6902980 PS/2 Keyboard / Mouse Cable with bracket
	B6902230 USB port cable with bracket
	AB9-2066 PA-M1AU Multiple Media kit

GENERAL

Processor	- Intel® Core™ i7 and i5 processor up to 3.4 GHz (65~95W) with (3~8MB) Cache in LGA1155 package - DMI x4 Link: 5.0 GT/s - Supports Intel® Turbo Boost , Hyper-Threading, Virtualization, Thermal Monitoring, Trusted Execution and SpeedStep® Technology (depends on CPU sku)
Chipset	Intel® Q67 PCH (6.1W)
BIOS	AMI UEFI BIOS
Memory	- Supports up to 16GB DDR3 1066/1333 SDRAM on two 240-pin DIMM sockets
Storage Devices	- 2x SATA III drives and 4x SATA II drives (Dual SATA II ports via Backplane) - RAID 0, 1, 5, 10 - 1x FDD channel on board box header
Watchdog Timer	Programmable via S/W from 0.5 sec. to 254.5 sec.
Hardware Monitoring	System monitor (Voltage, Fan Speed and Temperature)
Expansion Interface	- From CPU: 1x PCI Express x16 - From PCH: 1x PCI Express x4 or 4x PCI Express x1 by different bios support - 4x PCI devices at 32 bit 33 MHz

I/O INTERFACE

Super I/O	ITE IT8728F
Audio	- Intel® BD82Q67 PCH built-in High Definition Audio up to 192-kHz 32-bit - Realtek ALC662-GR HDA codec, 5.1 channels
Ethernet	- Intel® 82579LM+82574L gigabit ethernet controller - Dual RJ-45 connector with two LED indicators
Serial Port	- 1x RS232 on bracket - 1x Selectable RS232/422/485 on bracket
USB	- 14x USB 2.0 ports (four ports through backplane) - 480 Mb/s bus capable of high-speed/full-speed/low-speed data ranges
Keyboard & Mouse	2x USB 2.0 ports on bracket dedicated to keyboard & mouse
GPIO	On board programmable 8-bit Digital I/Os
Others	1x parallel port on board box header

DISPLAY

Graphic Controller	- Intel® Core™ i7 and i5 processors integrated graphic engine P3000 - Improved 3D multimedia capabilities including Microsoft DirectX 10.1, Shader Model 4.0, MPEG-2 and OpenGL 3.0*
Display Interface	- VGA on bracket: Resolution up to 2048x1536 @ 75Hz - DVI-D: up to 1920x1200 @60Hz - HDMI: up to 1920x1200 @60Hz (VGA + DVI-D on bracket by DVI-I port)

Mechanical & Environment

Dimension	- 338.5(L) x 126.39(W)mm; 13.33"(L) x 4.98"(W) - PCB: 8 layers
Power Supply	- Typical: +12V@4.85A ;+5V@3.4A - Supports ATX mode
Environment	- Operation Temperature: 0~60 °C (with better performance on 50 °C) - Storage Temperature: -20~80 °C - Relative Humidity: 5~90%, non-condensing
Certification	CE,FCC Class A
MTBF	Over 100,000 hours at 40°C

