

# Parrot PM Display Series

Ø 7.0" - 21.5"

Industrial touch display series with PCAP multitouch screen

## Features

- 7.0" ~ 21.5" display sizes available
- Resolution up to 1920 x 1080
- Brightness up to 400 cd/m<sup>2</sup>
- PCAP multitouch screen
- HDMI, VGA and DVI ports



## Sturdiness and flexibility for industrial fields of application

The industrial Parrot PM (Panelmount) display series offers a wide range of functionality and is also suitable for use in harsh environments. In addition to its sturdiness, due to the IP65 front, it shows an impressive reliability and a special panel mount design, which offers appropriate flexibility for different fields of application. The PCAP multitouch screen ensures the best usability.

## Razor-sharp PCAP multitouch display up to 21.5" screen diagonal

The screen size for the panel mount displays ranges from 7 inches to 21.5 inches, with an aspect ratio of 16:9 or 4:3, with a maximum resolution of 1920 x 1080 pixels. In addition, a viewing angle of up to 176 degrees vertically and 180 degrees horizontally ensures good readability from a wide variety of perspectives. For the connection of external devices, the displays are equipped with a VGA and HDMI interface (with an option for adding DVI).



# Parrot PM Display Series

Ø 7.0" - 21.5"

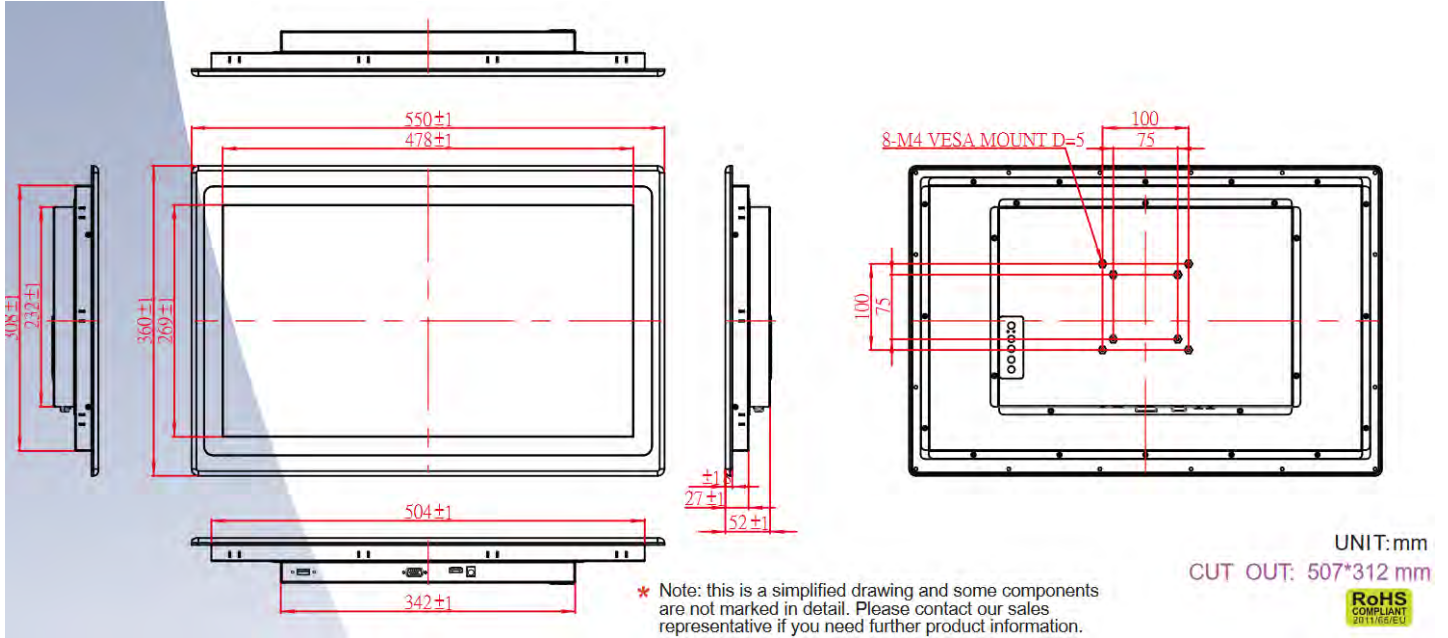
## Industrial touch display series with PCAP multitouch screen

Display Size	7"	10.4"	15"	15.6"	17"	19"	21.5"
<b>Display</b>							
<b>Touchscreen</b>	PCAP Multi-Touch						
<b>Resolution</b>	1024 x 600	1024 x 768	1024 x 768	1920 x 1080	1280 x 1024	1280 x 1024	1920 x 1080
<b>Brightness</b>	320cd/m <sup>2</sup>	350cd/m <sup>2</sup>	300cd/m <sup>2</sup>	400cd/m <sup>2</sup>	300cd/m <sup>2</sup>	250cd/m <sup>2</sup>	250cd/m <sup>2</sup>
<b>Contrast</b>	500:1	1200:1	2000:1	800:1	1000:1	1000:1	3000:1
<b>Color Depth</b>	16.7M (8-bit)	16.2M (6-bit)	16.2M (6-bit)	16.7M (8-bit)	16.7M (6-Bit + FRC)	16.7M (8-bit)	16.7M (8-bit)
<b>Active Display Area (mm)</b>	152.4 x 91.4	210.4 x 157.8	304.1 x 228.1	344.16 x 193.59	337.92 x 270.34	376.32 x 301.06	476.64 x 268.11
<b>Viewing Angle</b>	-75~75 (H)/-75~70(V)	-88~88 (H)/-88~88(V)	-88~88 (H)/-88~88(V)	-85~85 (H)/-85~85(V)	-85~85 (H)/-85~85(V)	-85~85 (H)/-80~80 (V)	-89~89 (H)/-89~89(V)
<b>Interface</b>							
<b>Video</b>	1x VGA (D-Sub 15), 1x HDMI (Type-	1x VGA (D-Sub 15), 1x HDMI (Type-A), 1x DVI (optional)			1x VGA (D-Sub 15), 1x HDMI (optional), 1x DVI-D (optional),	1x VGA (D-Sub 15), 1x HDMI (Type-A), 1x DVI (optional)	
<b>Audio</b>	3.5mm audio-out, 2x speaker	3.5mm audio-out (optional) 2x speaker					
<b>OSD User Control</b>	5 Keys: -, +, Power, Esc, Enter						
<b>Packlist</b>	AC/DC power adapter (100 ~240V), VGA cable(1.8 meters), HDMI cable(2 meters)						
<b>Mechanical</b>							
<b>Power Source</b>	12V DC-in, with external AC/DC adapter (100~240V)						
<b>Power Consumption</b>	40W typical, normal operation				34W typical, normal operation	40W typical, normal operation	
<b>Dimensions</b>	214 x 160.6 x 45.8mm 193x130mm(cut out)	284 x 252 x 55mm 265x220mm(cut out)	420 x 320 x 57mm 388x280mm(cut out)	415 x 275 x 53mm	438 x 372 x 52mm 393 x 324mm (cut out)	474 x 384 x 76.5mm 432x343mm(cut out)	550 x 360 x 52mm 507x312mm(cut out)
<b>Weight</b>	-	2.3kg	4.4kg	-	-	-	6.8kg
<b>Mounting</b>	VESA Mount 75 / 100mm						
<b>IP Certification</b>	-				IP65 Front	-	
<b>Environmental</b>							
<b>Operating Temperature</b>	±0° ~ 50° C						
<b>Storage Temperature</b>	-10° ~ 60° C			-30° ~ 70° C		-10° ~ 60° C	
<b>Humidity</b>	10% ~ 90%, non-condensing						
<b>Certifications</b>	CE, FCC						

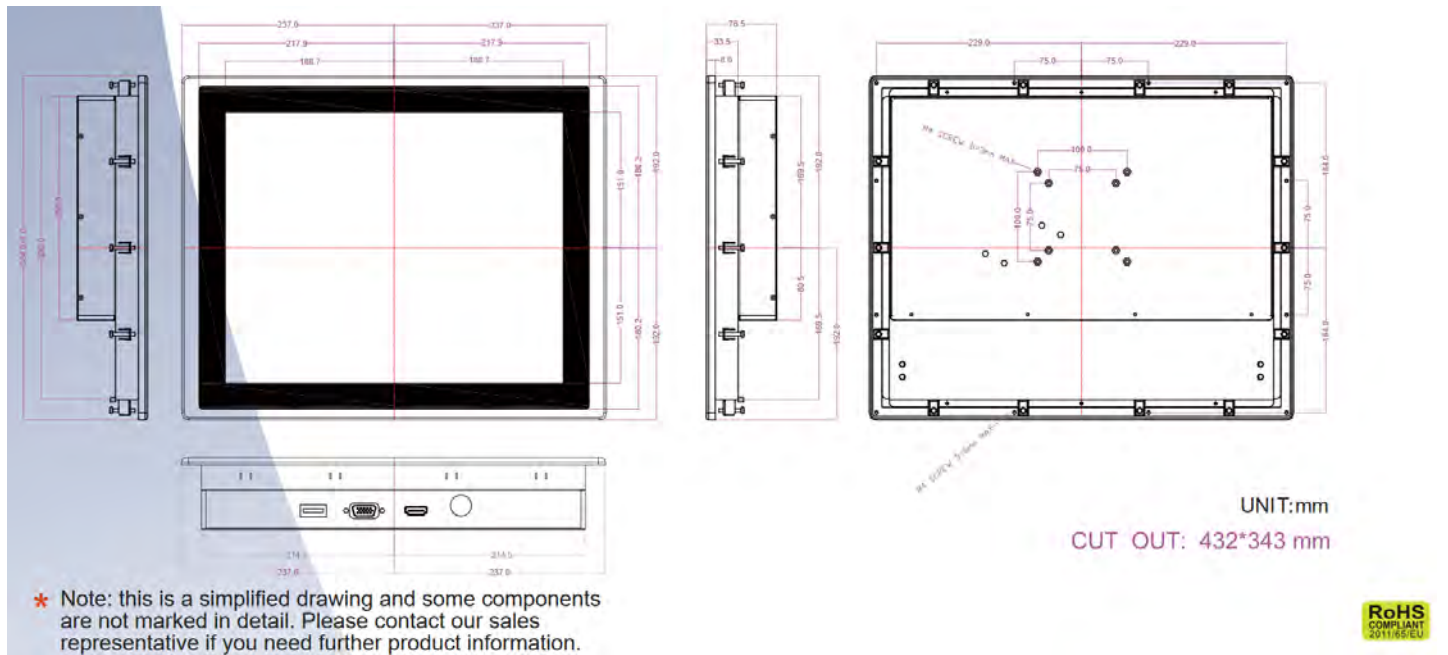
# Parrot PM Display Series

Ø 7.0" - 21.5"

## 21.5" | Mechanical drawing



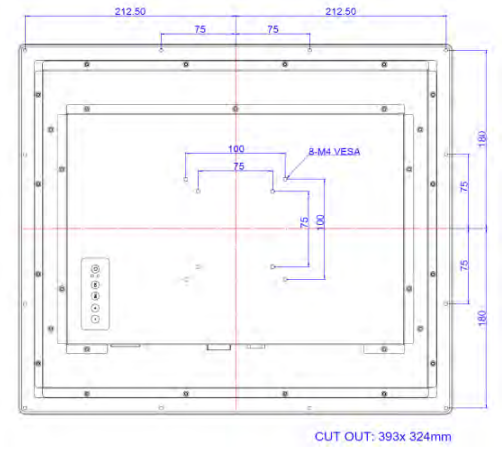
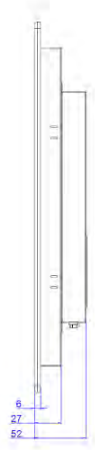
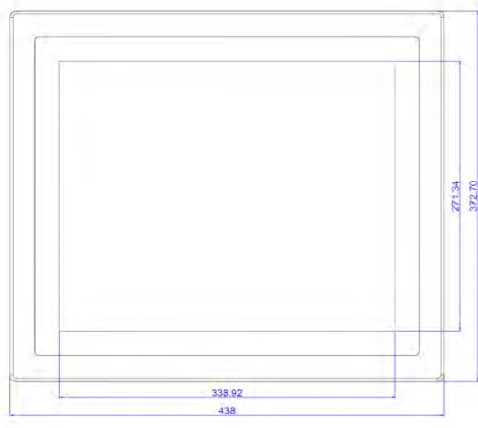
## 19" | Mechanical drawing



# Parrot PM Display Series

Ø 7.0" - 21.5"

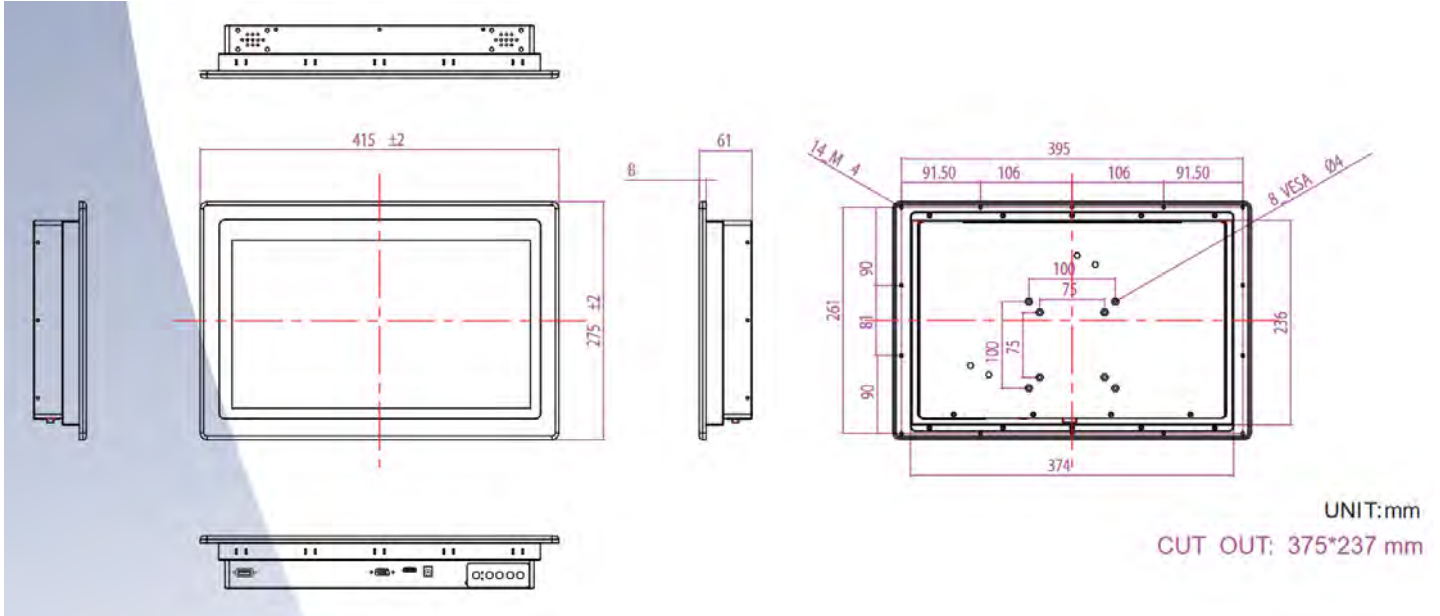
## 17" | Mechanical drawing



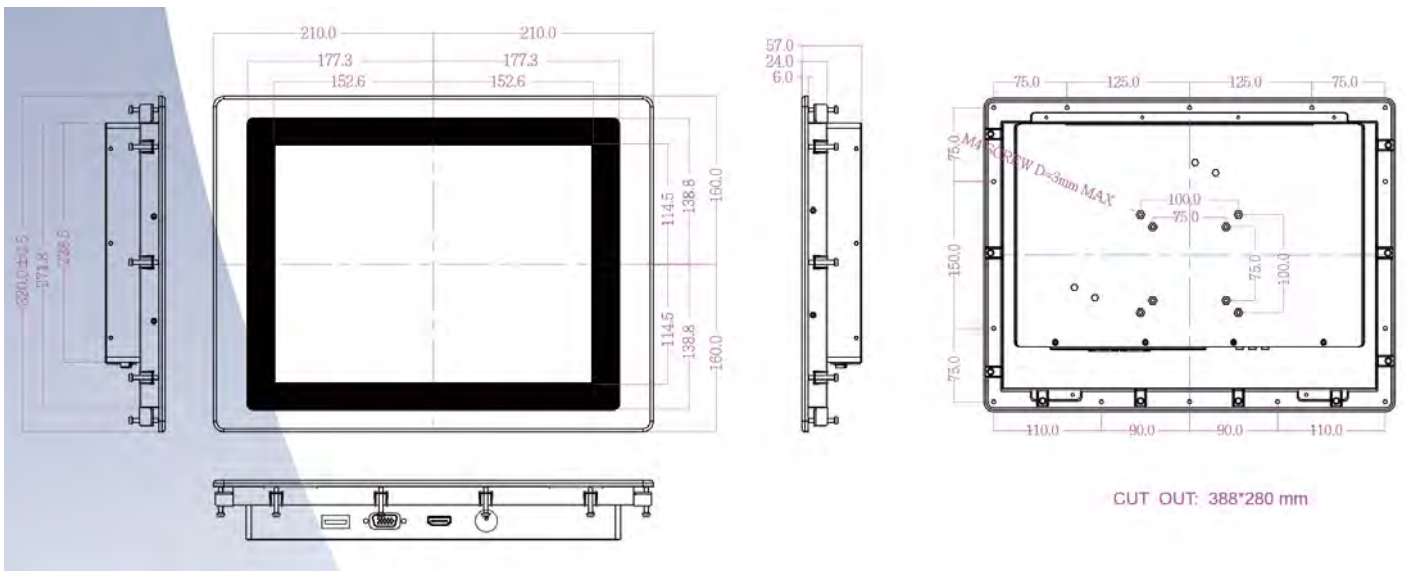
# Parrot PM Display Series

Ø 7.0" - 21.5"

## 15.6" | Mechanical drawing



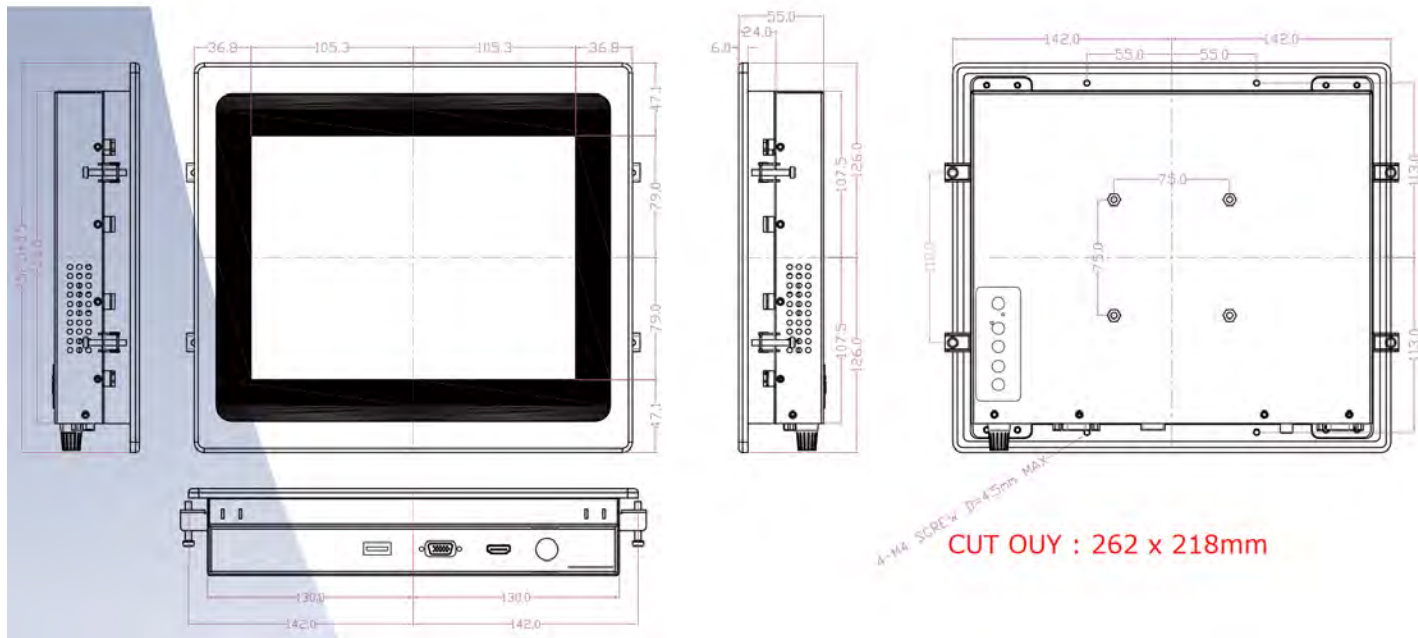
## 15" | Mechanical drawing



# Parrot PM Display Series

Ø 7.0" - 21.5"

## 10.4" | Mechanical drawing



## 7.0" | Mechanical drawing

