

ORCA

Full IP66 - Core™ Series - 24"

Fanless Full IP66 Panel PC with Intel® 8th Core™ i7/ i5 processor

Features

- Fanless design
- Full IP66 NEMA4X/ IP69K
- PCAP touch display
- M12 connectors for every I/O
- Optional WiFi with external antenna

System

CPU	Intel® Core™ i7/ i5 8 th Gen. Whiskey Lake CPU
Chipset	SoC
Graphics Card	Integrated Intel® HD 520 Graphics
RAM	2x DDR4 SODIMM socket, 2666 MHz up to 32GB
Storage Capacity	1x 128GB SSD, SATA III, optionally larger capacity
Operating System	Windows® 10, Windows® 8 Embedded, Windows® 8 Industrial, Windows® 7 Pro, Windows® 7 Embedded
Expansion Slots	1x Mini PCIe 1x M.2 Type E

Display

Size	23.8" 16:9
Touch Type	Full Flat PCAP Multi-Touch
Resolution	1920 x 1080 (Full HD)
Color	16.7M colors (RGB 6-bit + Hi FRC)
Viewing Angle	178 (H) / 178 (V)
Contrast	3000:1
Brightness	250 cd/m ²

Interface

USB	1x M12 8-pin for USB 1 / 2 1x M12 8-pin for USB 2 / 3
Ethernet	1x M12 8-pin for RJ-45 Gigabit LAN
Serial	2 x M12 8pin for COM 1/COM2 / RS-232/422/485
Power Input	1x M12 5-pin for DC power input
Power Adapter	AC 100 ~ 277 V / 47 ~ 63 Hz / DC output 12V, IP68

Mechanical / Environmental

IP Protection	IP66, NEMA4X, IP69K/ SUS304 stainless steel enclosure, chassis type
Dimensions	626.6 x 396.1 x 64.0mm (W x H x D)
Temperature	Operating: 0° to 40°C / Storage: -20° to 60°C
Weight	14.8 kg
Certificates	CE (EMC) :EN61000-6-4 ; EN61000-6-2 / FCC/VCCI Class B

Front



I/O



Rear

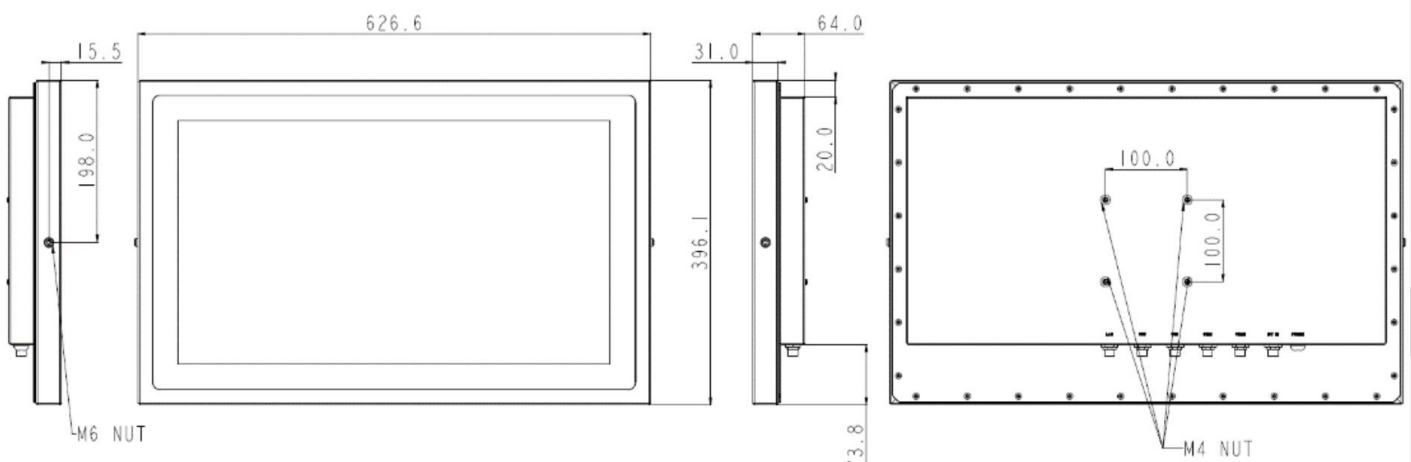


ORCA

Full IP66 - Core™ Series - 24"



Technical Layout



Optional Accessories

Table Stand



Wall Mount

