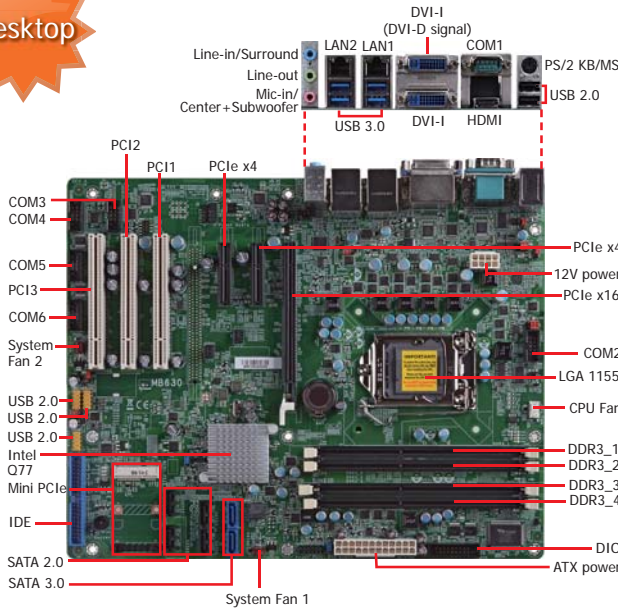


Preliminary

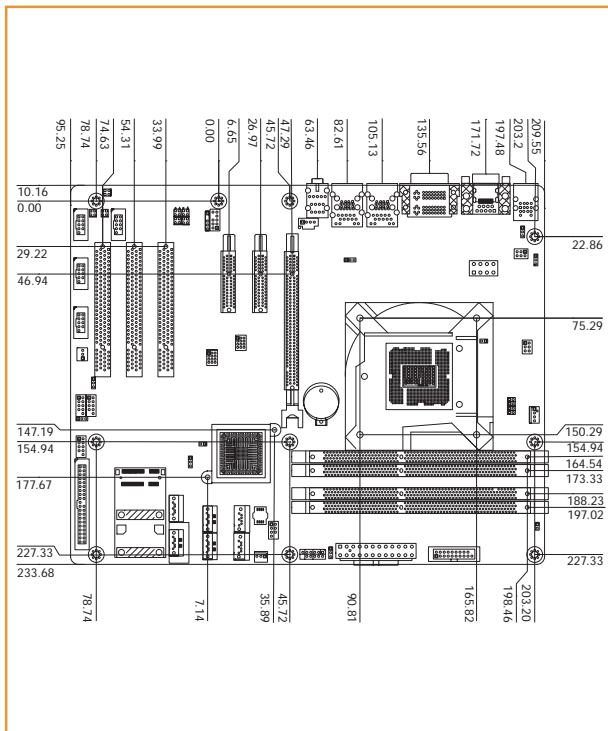
MB-MB630-CRM ATX



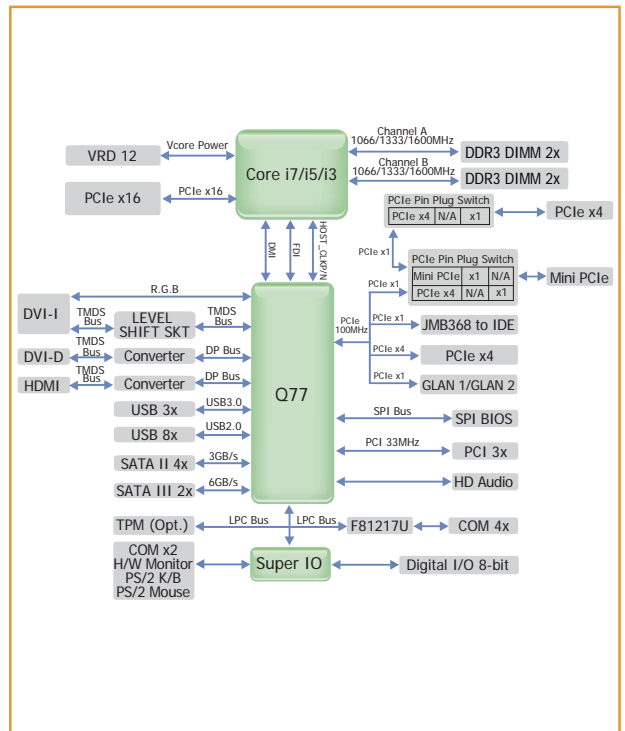
Features

| | |
|-----------------|--|
| CHIPSET | Intel® Q77 |
| CPU | 3rd Generation Intel® Core™ processors 2nd Generation Intel® Core™ processors |
| MEMORY | 4 DDR3 DIMM up to 32GB |
| EXPANSION | 1 PCIe x16, 1 PCIe x4, 1 PCIe x1, 1 Mini PCIe, 3 PCI |
| DISPLAY OUTPUTS | 3 Independent Displays 1 HDMI 2 DVI-I (1 supports DVI-D signal) |
| LAN | 2 Gigabit LAN ports |
| COM | 6 COM |
| USB | 12 USB: 4 USB 3.0, 8 USB 2.0 |
| STORAGE | 6 SATA: 2 SATA 3.0, 4 SATA 2.0 1 IDE |
| DIO | 8-bit DIO |

Mechanical Drawing



Block Diagram



Specifications

3rd Generation Intel® Core™ Processors Support 3 Independent Displays

PROCESSOR

- LGA 1155 socket for:
 - 3rd generation Intel® Core™ processors (22nm process technology)
 - Intel® Core™ i7-3770 (8M Cache, up to 3.9GHz); 77W
 - Intel® Core™ i5-3550S (6M Cache, up to 3.7GHz); 65W
 - Intel® Core™ i3-3220 (3M Cache, 3.3GHz); 55W
 - Intel® Pentium® G2120 (3M Cache, 3.1 GHz); 65W
 - 2nd generation Intel® Core™ processors (32nm process technology)
 - Intel® Core™ i7-2600 (8M Cache, up to 3.8 GHz); 95W
 - Intel® Core™ i5-2400 (6M Cache, up to 3.4 GHz); 95W
 - Intel® Core™ i3-2120 (3M Cache, 3.3 GHz); 65W
 - Intel® Pentium® G850 (3M Cache, 2.9 GHz); 65W

CHIPSET

- Intel® Q77 Express chipset

SYSTEM MEMORY

- Four 240-pin DDR3 DIMM sockets
- Supports DDR3 1333/1600MHz (3rd generation processors)
- Supports DDR3 1066/1333MHz (2nd generation processors)
- Supports dual channel memory interface
- Supports up to 32GB system memory
- DRAM device technologies: 1Gb, 2Gb and 4Gb DDR3 DRAM technologies are supported for x8 and x16 devices, unbuffered, ECC

EXPANSION SLOTS

- 1 PCIe x16 slot
 - Supports Gen 3.0 (3rd generation processors)
 - Supports Gen 2.0 (2nd generation processors)
- 1 PCIe x4 slot (PCIe 2.0)
- 1 PCIe x1 slot
- 1 Mini PCIe slot: PCIe and USB signals (PCIe 2.0)
 - Supports half size and/or full size Mini PCIe card
- 3 PCI slots (PCI 2.3)

ONBOARD GRAPHICS FEATURES

- Intel® 4000 (i7); HD Graphics 2500 (i5/i3/Pentium)
- Display ports: HDMI, 2 DVI-I (1 supports DVI-D signal only)
- HDMI and DVI display resolution up to 1920x1200
- VGA display resolution up to 2048x1536 pixels with 32-bit color at 75Hz
- Intel® Clear Video Technology
- Intel® Advanced Vector Extensions (Intel® AVX) Instructions
- Supports DirectX 11 and OGL 3.0

ONBOARD AUDIO FEATURES

- Realtek ALC886 5.1-channel High Definition Audio
- Audio outputs: Mic-in/Center+Subwoofer, line-in/surround and line-out
- S/PDIF audio interface

ONBOARD LAN FEATURES

- Intel® WG82579LM with iAMT8.0 Gigabit Ethernet Phy
- Intel® WG82574L PCI Express Gigabit Ethernet controller
- Integrated 10/100/1000 transceiver
- Fully compliant with IEEE 802.3, IEEE 802.3u, IEEE 802.3ab

SERIAL ATA (SATA) INTERFACE

- 6 Serial ATA ports
 - 2 SATA 3.0 ports with data transfer rate up to 6Gb/s
 - 4 SATA 2.0 ports with data transfer rate up to 3Gb/s (SATA port 4 provides adequate space for SATA DOM)
- Integrated Advanced Host Controller Interface (AHCI) controller
- Supports RAID 0/1/5/10

INTEL ACTIVE MANAGEMENT TECHNOLOGY (AMT)

- Supports iAMT8.0
- Out-of-band system access
- Remote troubleshooting and recovery
- Hardware-based agent presence checking
- Proactive alerting
- Remote hardware and software asset tracking

TRUSTED PLATFORM MODULE (TPM) - optional

- Provides a Trusted PC for secure transactions
- Provides software license protection, enforcement and password protection

USB INTERFACE

- XHCI Host Controller supports up to 4 super speed USB 3.0 ports

REAR PANEL I/O PORTS

- 1 mini-DIN-6 port for PS/2 mouse/keyboard
- 4 USB 3.0/2.0/1.1 ports
- 2 USB 2.0/1.1 ports
- 1 DB-9 serial port
 - Supports RS232/422/485 (RS232 and/or Power)
- 1 HDMI port
- 2 DVI-I ports (1 supports DVI-D signal only)
- 2 RJ45 LAN ports
- Line-in/surround, Line-out, and Mic-in/Center+Subwoofer jacks

I/O CONNECTORS

- 3 connectors for 6 external USB 2.0/1.1 ports
- 5 connectors for 5 external serial ports
 - 1 RS232/422/485 (RS232 and/or Power)
 - 4 RS232
- 1 8-bit Digital I/O connector
- 1 front audio connector for line-out and mic-in jacks
- 1 CD-in connector
- 1 S/PDIF connector
- 6 Serial ATA ports (2 SATA 3.0; 4 SATA 2.0)
- 1 IDE connector
- 1 24-pin ATX power connector
- 1 8-pin 12V power connector
- 1 chassis intrusion connector
- 1 front panel connector
- 3 fan connectors

BIOS

- AMI BIOS
- 64Mbit SPI BIOS

ENERGY EFFICIENT DESIGN

- Supports ErP Lot6 power saving (optional)
- ACPI v3.0 specification
- System Power Management
- Wake-On-Events include:
 - Wake-On-PS/2 KB/Mouse
 - Wake-On-USB KB/Mouse
 - Wake-On-LAN
 - RTC timer to power-on the system
- CPU stopped clock control
- AC power failure recovery

DAMAGE FREE INTELLIGENCE

- Monitors CPU/system temperature and overheat alarm
- Monitors VCore/5V/3.3V/V_DIMM/12V/5VSB voltages and failure alarm
- Monitors CPU/system fan speed and failure alarm
- Read back capability that displays temperature, voltage and fan speed
- Watchdog timer function

TEMPERATURE

- Operating: 0°C to 60°C
- Storage: -20°C to 85°C

HUMIDITY

- 10% to 90%

DIMENSIONS

- ATX form factor
- 305mm (12") x 244mm (9.6")

Packing List

- 1 MB-MB630-CRM motherboard
- 2 USB port cables (with bracket)
- 2 Serial ATA data cables
- 2 COM port cables (with bracket)
- 1 I/O shield
- 1 DVD
- 1 QR (Quick Reference)

Optional Items

- USB port cable
- Serial ATA data cable
- Serial ATA power cable
- COM port cable
- IDE cable
- I/O shield