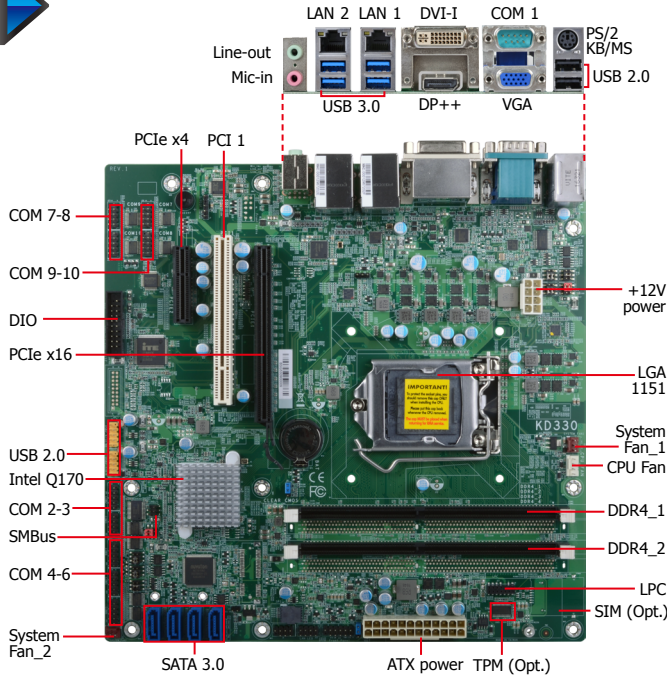


MB-KD330-H110 Desktop

H110



Features

- 2 DDR4 DIMM up to 64GB
- Three display ports: VGA, DVI-D, DP++
Supports three independent displays
- DP++ resolution up to 4096x2304 @ 60Hz
DVI-D resolution up to 2560x1600 @ 60Hz
- Multiple expansion: 1 PCIe x16, 1 PCIe x4, 1 PCI
- Rich I/O: 2 Intel GbE, 10 COM, 4 USB 3.0, 6 USB 2.0
- LPC EXT-RS232/485 module extends additional 4 COM ports



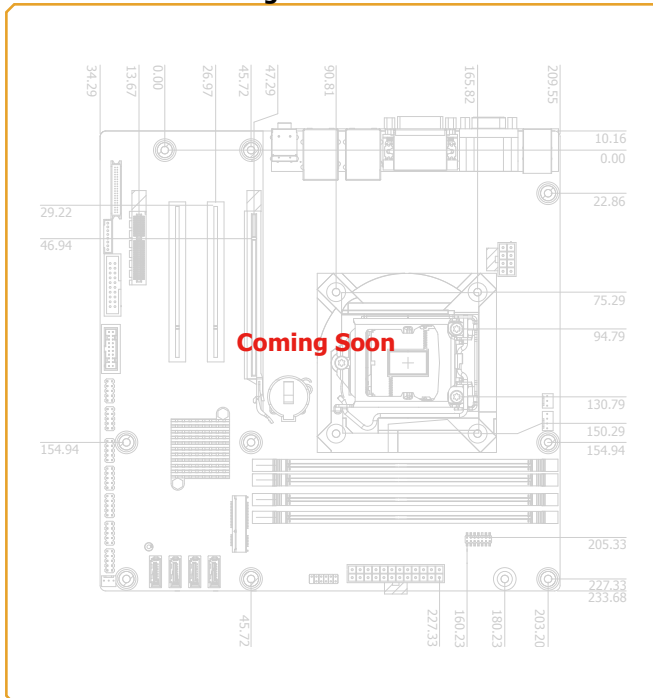
2 Extension Modules for Additional 4 COM Ports (via the LPC connector)



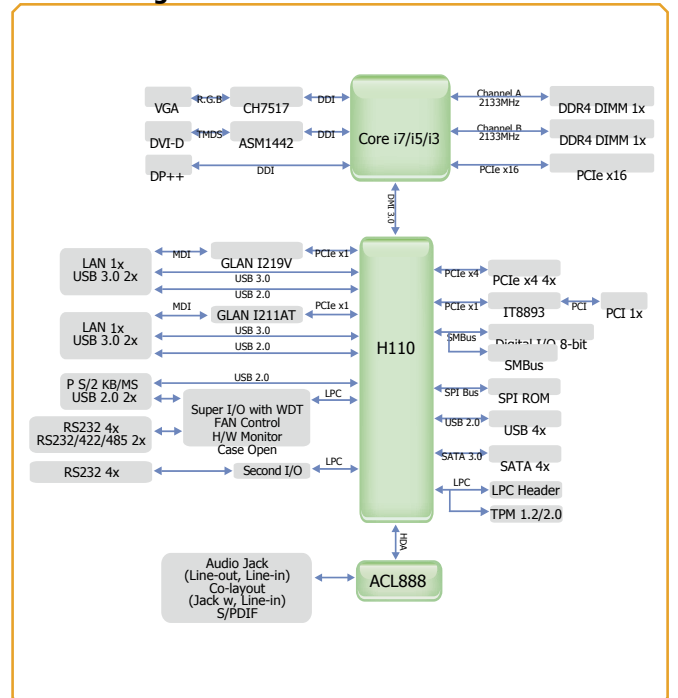
Ordering Information

Model Name	P/N	Memory	GbE	RS-232/422/485	RS-232	USB 3.0	USB 2.0	Power	Thermal	Temp.
KD330-H110	770-KD3301-000G	2 DIMM	2	2	8	4	6	24-pin ATX / 8-pin ATX 12V	Active	0 to 60°C

Mechanical Drawing



Block Diagram



► Specifications

SYSTEM	Processor	7th Generation Intel® Core™ Processors, LGA 1151 Socket Intel® Core™ i7-7700 Processor, Quad Core, 8M Cache, 3.6GHz (4.2GHz), 65W Intel® Core™ i5-7500 Processor, Quad Core, 6M Cache, 3.4GHz (3.8GHz), 65W Intel® Core™ i3-7101E Processor, Dual Core, 3M Cache, 3.9GHz, 65W	
	Chipset	Intel® H110 Chipset	
	Memory	Two 288-pin DIMM up to 64GB	Dual Channel DDR4 2133/2400MHz
	BIOS	Insyde SPI 128Mbit	
GRAPHICS	Controller	Intel® HD Gen 9 Graphics	
	Feature	OpenGL 5.0, DirectX 12, OpenCL 2.1 HW Decode: AVC/H.264, MPEG2, VC1/WMV9, JPEG/MJPEG, HEVC/H265, VP8, VP9 HW Encode: MPEG2, AVC/H264, JPEG, HEVC/H265, VP8, VP9	
	Display	1 x VGA 1 x DVI-I (DVI-D signal) 1 x DP++	VGA: resolution up to 1920x1200 @ 60Hz DVI-D: resolution up to 2560x1600 @ 60Hz DP++: resolution up to 4096x2304 @ 60Hz
	Triple Displays	VGA + DVI-D + DP++	
EXPANSION	Interface	1 x PCIe x16 (Gen 3) 1 x PCIe x4 (Gen 3) 1 x PCI	
AUDIO	Audio Codec	Realtek ALC888S-VD2-GR	
ETHERNET	Controller	1 x Intel® I210AT PCIe (10/100/1000Mbps) 1 x Intel® I219V PCIe (10/100/1000Mbps)	
REAR I/O	Ethernet	2 x GbE (RJ-45)	
	USB	4 x USB 3.0 4 x USB 2.0	
	Serial	1 x RS-232/422/485 (RS-232 w/ power) (DB-9)	
	PS/2	1 x PS/2 (mini-DIN-6)	
	Display	1 x VGA 1 x DVI-I (DVI-D signal) 1 x DP++	
	Audio	1 x Line-out 1 x Mic-in 1 x Line-in	
	INTERNAL I/O	Serial	1 x RS-232/422/485 (RS-232 w/ power) (2.54mm pitch) 8 x RS-232 (2.54mm pitch)
USB		2 x USB 2.0 (2.54mm pitch) 1 x Vertical USB 2.0 (available upon request)	
Audio		1 x Audio (Line-out/Mic-in) 1 x S/PDIF	
SATA		4 x SATA 3.0 (up to 6Gb/s)	RAID 0/1/5/10
DIO		1 x 8-bit DIO	
LPC		1 x LPC (supports LPC EXT-RS232/RS485 module)	
SMBus		1 x SMBus	
WATCHDOG TIMER		Output & Interval	System Reset, Programmable via Software from 1 to 255 Seconds
SECURITY	TPM	Available Upon Request	
POWER	Type	ATX	
	Connector	8-pin ATX 12V power	24-pin ATX power
	Consumption	TBD	
	RTC Battery	CR2032 Coin Cell	
OS SUPPORT		Windows 10 IoT Enterprise 64-bit	
ENVIRONMENT	Temperature	Operating: 0 to 60°C	Storage: -40 to 85°C
	Humidity	Operating: 5 to 90% RH	Storage: 5 to 90% RH
	MTBF	TBD	
	MECHANICAL	Dimensions	microATX form factor
Height		PCB: TBD	Top Side: TBD, Bottom Side: TBD

► Packing List

• 1 KD330-H110 motherboard	
• 1 COM port cable (Length: 300mm, 2 x COM ports)	A81-015026-023G
• 1 Serial ATA data cable (Length: 500mm)	332-553001-005G
• 1 I/O shield	TBD
• 1 DVD	

► Optional Items

• USB 2.0 port cable (Length: 350/398mm)	332-253010-026G
• COM port cable (Length: 300mm, 2 x COM ports)	A81-015026-023G
• Serial ATA data cable (Length: 500mm)	332-553001-005G
• Thermal solution (For 35W, Height: 37.3mm)	A71-103004-000G
• Thermal solution (For 65W, Height: 72.8mm)	552-200049-000G
• LPC EXT-RS232 module (4 x RS232 ports)	770-EXTRS1-000G
• LPC EXT-RS485 module (4 x RS485 ports)	770-EXTRS1-100G
• USB 3.0 port cable (Length: 320mm)	A81-001052-023G