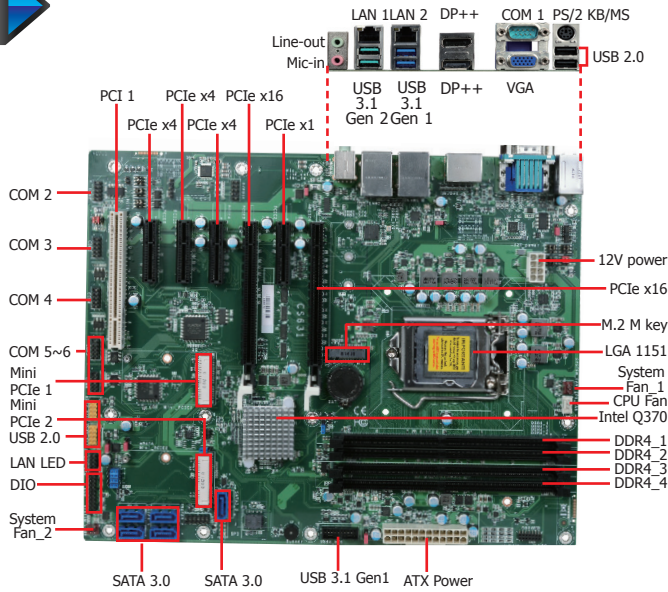


MB-CS631-Q370

Desktop

Q370

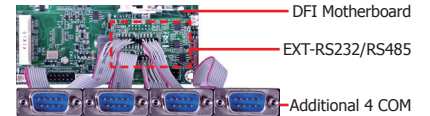
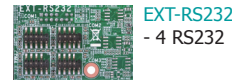


Features

- 4 DDR4 DIMM up to 64GB
- 3 independent displays: VGA + DP++ + DP++
- DP++ resolution up to 4096x2160 @ 60Hz
- Multiple expansion: 2 PCIe x16 (1 x16 signal or 2 x8 signals), 3 PCIe x4, 1 PCIe x1, 1 PCI, 2 Full-sized Mini PCIe, 1 M.2 M key
- Rich I/O: 2 Intel GbE, 6 COM, 2 USB 3.1 Gen 2, 4 USB 3.1 Gen 1, 6 USB 2.0



2 Extension Modules for Additional 4 COM Ports (via the LPC connector)



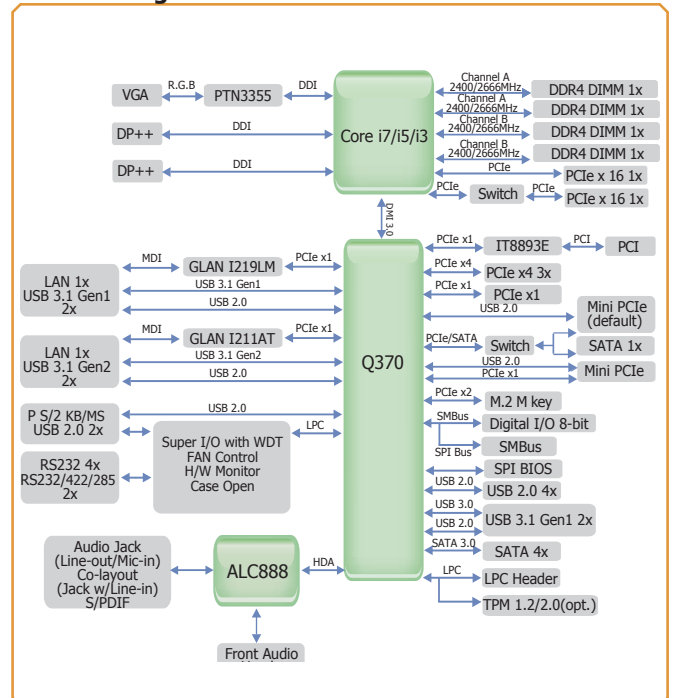
Ordering Information

Model Name	P/N	Memory	GbE	RS-232/422/485	RS-232	USB3.1 Gen 2	USB3.1 Gen 1	USB 2.0	Power	Thermal	Temp.
CS631-Q370CRM	770-CS6311-100G	4 DIMM	2	2	4	2	4	6	24-pin ATX	Active	0 to 60°C

Mechanical Drawing



Block Diagram



Specifications

SYSTEM	Processor	8th Generation Intel® Core™ /Pentium®/Celeron® LGA 1151 Socket Processors with TDP up to 95W		
	Chipset	Intel® Q370 Chipset		
	Memory	Four 288-pin DIMM up to 64GB	Dual Channel DDR4 2400/2666MHz	
	BIOS	Insyde SPI 128Mbit		
GRAPHICS	Controller	Intel® HD Gen 9 Graphics		
	Feature	OpenGL 5.0, DirectX 12, OpenCL 2.1 HW Decode: AVC/H.264, MPEG2, VC1/WMV9, JPEG/MJPEG, HEVC/H265, VP8, VP9 HW Encode: MPEG2, AVC/H264, JPEG, HEVC/H265, VP8, VP9		
	Display	1 x VGA 2 x DP++	VGA: resolution up to 1920x1200 @ 60Hz DP++: resolution up to 4096x2160 @ 60Hz	
	Triple Displays	VGA + DP++ + DP++		
EXPANSION	Interface	2 x PCIe x16 (Gen 3) (1 x16 signal or 2 x8 signals) 3 x PCIe x4 (Gen 3) 1 x PCIe x1 (Gen 3) 1 x PCI 2 x Full-sized Mini PCIe (1* PCIe/SATA/USB2.0, 1* PCIe/USB2.0) 1 x M.2 2242/2260/2280 M key (PCIe Gen3 x 2 NVMe)		
AUDIO	Audio Codec	Realtek ALC888		
ETHERNET	Controller	1 x Intel® I211AT PCIe (10/100/1000Mbps) 1 x Intel® I219LM PCIe with iAMT12.0 (10/100/1000Mbps) (only Core i7/i5 supports iAMT)		
REAR I/O	Ethernet	2 x GbE (RJ-45)		
	USB	2 x USB 3.1 Gen2 2 x USB 3.1 Gen1 2 x USB 2.0		
	Serial	1 x RS-232/422/485 (RS-232 w/ power) (DB-9)		
	PS/2	1 x PS/2 (mini-DIN-6)		
	Display	1 x VGA 2 x DP++		
	Audio	1 x Line-out, 1 x Mic-in, 1 x Line-in (opt., MOQ required)		
	INTERNAL I/O	Serial	1 x RS-232/422/485 (RS-232 w/ power) (2.54mm pitch) 4 x RS-232 (2.54mm pitch)	
USB		2 x USB 3.1 Gen 1 (2.00mm pitch) 4 x USB 2.0 (2.54mm pitch) (1 x USB 2.0 colay vertical Type A) (opt., MOQ required)		
Audio		1 x Front Audio Header 1 x S/PDIF		
SATA		5 x SATA 3.0 (up to 6Gb/s, 1 SATA shared with mini PCIe (SATA), default at mini PCIe) RAID 0/1/5/10		
DIO		1 x 8-bit DIO		
LPC		1 x LPC (supports LPC EXT-RS232/RS485 module)		
SMBus		1 x SMBus		
WATCHDOG TIMER		Output & Interval	System Reset, Programmable via Software from 1 to 255 Seconds	
SECURITY		TPM	Infineon TPM1.2/2.0 (opt., MOQ required)	
POWER		Type	ATX	
	Connector	8-pin ATX 12V power	24-pin ATX power	
	Consumption	TBD		
	RTC Battery	CR2032 Coin Cell		
OS SUPPORT		Windows 10 IoT Enterprise 64-bit Linux: Ubuntu 18.04		
ENVIRONMENT	Temperature	Operating: 0 to 60°C Storage: -30 to 60°C with RTC Battery; -40 to 85°C without RTC Battery		
	Humidity	Operating: 5 to 90% RH	Storage: 5 to 90% RH	
	MTBF	TBD		
	MECHANICAL	Dimensions	ATX Form Factor	305mm (12") x 244mm (9.6")
Height		PCB: 1.6mm	Top Side: TBD Bottom Side: TBD	

Packing List

• 1 MB-CS631-Q370 motherboard	
• 1 COM port cables (Length: 400mm, 2 x COM ports)	A81-015026-023G
• 1 Serial ATA data cable (Length: 500mm)	332-553001-005G
• 1 I/O shield	TBD
• 1 DVD	TBD
• 1 M.2 2242/2260/half mini PCIe standoff	A33-725019-090G
• 1 M.2 screw	A32-112016-041G
• 1 mini PCIe screw	A32-112016-041G

Optional Items

• USB 2.0 port cable (Length: 350mm)	A81-001066-016G
• USB 3.1 Gen1 port cable (Length: 320mm)	A81-001052-023G
• COM port cable (Length: 400mm, 2 x COM ports)	A81-015026-023G
• Serial ATA data cable (Length: 500mm, W/LOCK)	332-553001-005G
• Thermal solution (For 35W, Height: 37.3mm)	A71-101107-000G
• Thermal solution (For 65W, Height: 72.8mm)	552-200049-000G
• Thermal solution (For 95W, Height: 69.3mm)	761-103001-000G
• LPC EXT-RS232 module (4 x RS232 ports)	770-EXTRS1-000G
• LPC EXT-RS485 module (4 x RS485 ports)	770-EXTRS1-100G