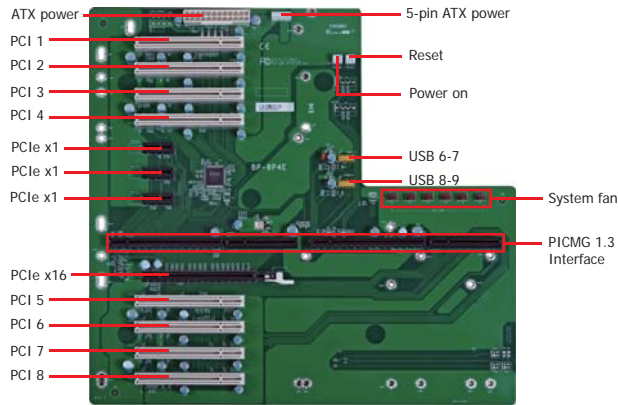


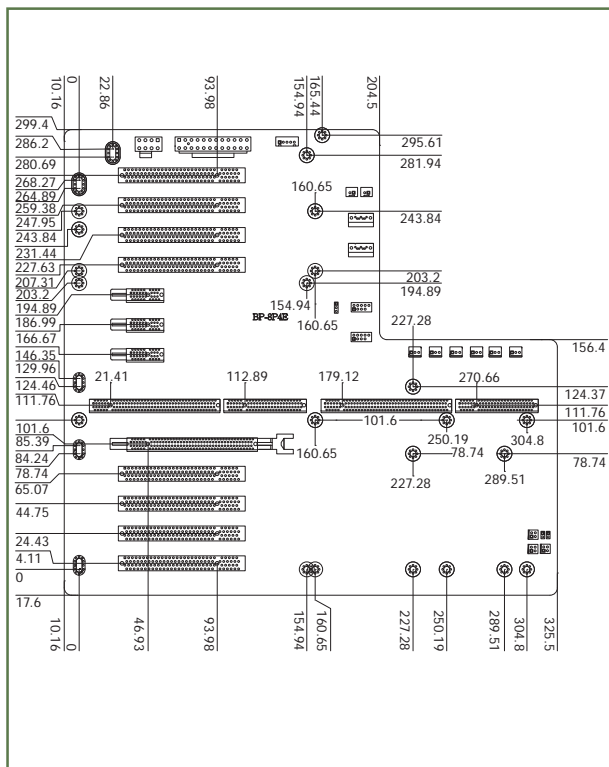
# BP-8P4E Backplane



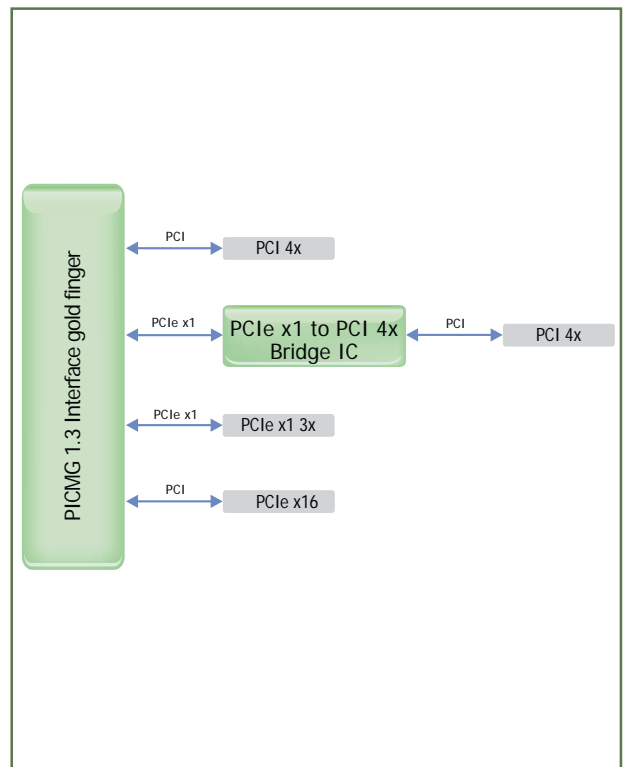
## Features

EXPANSION	1 PCIe x16 3 PCIe x1 8 PCI
PICMG 1.3 INTERFACE	2 PCIe x16 2 PCIe x8
USB	4 USB 2.0

## Mechanical Drawing



## Block Diagram



## Specifications

### EXPANSION INTERFACES

- 1 PCIe x16 slot
- 3 PCIe x1 slots
- 8 PCI slots

### PICMG 1.3 INTERFACE

- 2 PCIe x16
- 2 PCIe x8

### POWER

- 1 24-pin ATX power connector
- 1 5-pin power connector

### USB

- 2 connectors for 4 external USB 2.0/1.1 ports

### SYSTEM FANS

- 6 system fan connectors

### POWER/RESET

- 1 power on connector
- 1 reset connector

### CHASSIS

- Fits a 4U rackmount chassis